
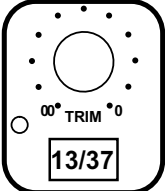
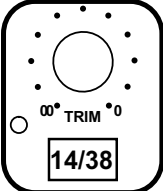
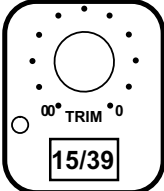
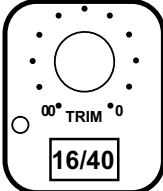
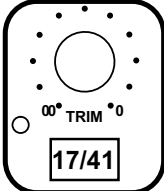
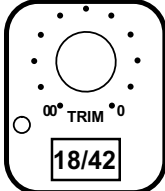
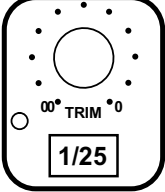
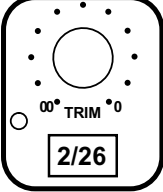
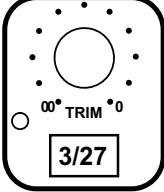
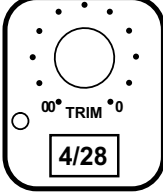
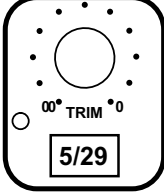
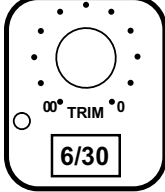


# Bus Trim Set Up Sheet

**ARTIST:**  
**ENGINEER:**  
**DATE:**

**NOTES:**  
**DRAWN BY:**  
**STUDIO:**

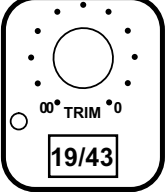
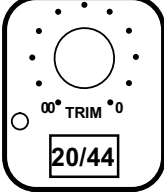
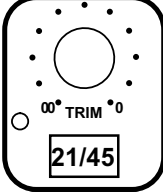
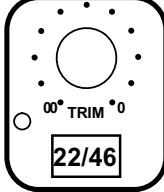
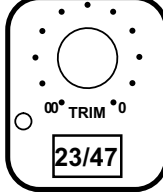
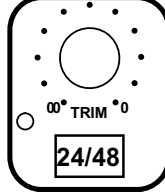
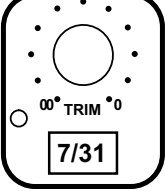
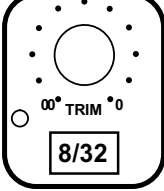
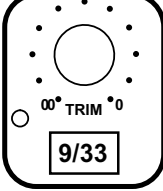
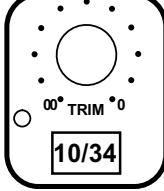
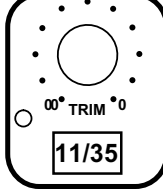
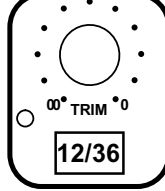
<b>TITLE</b>	<b>TITLE</b>	<b>TITLE</b>	<b>TITLE</b>	<b>TITLE</b>	<b>TITLE</b>
--------------	--------------	--------------	--------------	--------------	--------------

	 00° TRIM °0 13/37	 00° TRIM °0 14/38	 00° TRIM °0 15/39	 00° TRIM °0 16/40	 00° TRIM °0 17/41	 00° TRIM °0 18/42
	 00° TRIM °0 1/25	 00° TRIM °0 2/26	 00° TRIM °0 3/27	 00° TRIM °0 4/28	 00° TRIM °0 5/29	 00° TRIM °0 6/30

<b>TITLE</b>	<b>TITLE</b>	<b>TITLE</b>	<b>TITLE</b>	<b>TITLE</b>	<b>TITLE</b>
--------------	--------------	--------------	--------------	--------------	--------------



<b>TITLE</b>	<b>TITLE</b>	<b>TITLE</b>	<b>TITLE</b>	<b>TITLE</b>	<b>TITLE</b>
--------------	--------------	--------------	--------------	--------------	--------------

 00° TRIM °0 19/43	 00° TRIM °0 20/44	 00° TRIM °0 21/45	 00° TRIM °0 22/46	 00° TRIM °0 23/47	 00° TRIM °0 24/48
 00° TRIM °0 7/31	 00° TRIM °0 8/32	 00° TRIM °0 9/33	 00° TRIM °0 10/34	 00° TRIM °0 11/35	 00° TRIM °0 12/36

<b>TITLE</b>	<b>TITLE</b>	<b>TITLE</b>	<b>TITLE</b>	<b>TITLE</b>	<b>TITLE</b>
--------------	--------------	--------------	--------------	--------------	--------------

**NOTES**