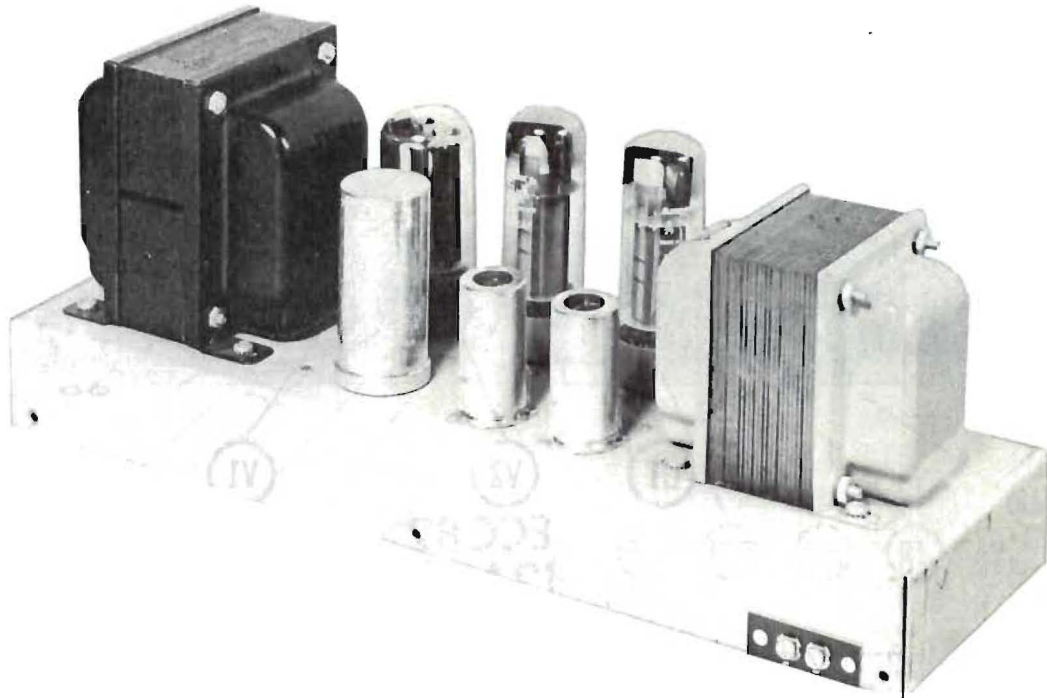




AMPEX MODEL 30 WATT AMP
(CUSTOM SERIES 1959)



AMPEX MODEL 30 WATT AMP
(CUSTOM SERIES 1959)

TRADE NAME	Ampex Model 30 Watt Amplifier (Custom Series 1959)		
MANUFACTURER	Ampex Audio, Inc., 1020 Kifer Road, Sunnyvale, California		
TYPE SET	AC Operated 5 Tube Audio Amplifier		
POWER SUPPLY	110-120 Volts AC, 60 Cycles	RATING	110 Watts, 1.1 Amp. @117 Volts AC

HOWARD W. SAMS & CO., INC. Indianapolis 6, Indiana

The listing of any available replacement part herein does not constitute in any case a recommendation, warranty or guaranty by Howard W. Sams & Co., Inc., as to the quality and suitability of such replacement part. The numbers of these parts have been compiled from information furnished to Howard W. Sams & Co., Inc., by the manufacturers of JX357

the particular type of replacement part listed. Reproduction or use, without express permission, of editorial or pictorial content, in any manner, is prohibited. No patent liability is assumed with respect to the use of the information contained herein. © 1959 Howard W. Sams & Co., Inc., Indianapolis 6, Indiana. Printed in U. S. of America

DATE 11-59

SET 464

FOLDER 5

PARTS LIST AND DESCRIPTIONS

TUBES

CBS		GENERAL ELECTRIC		RAYTHEON		SYLVANIA	
ITEM No.	USE	TYPE		ITEM No.	USE	TYPE	
V1	AF Amplifier	EF86/ 6287		V4	Output Rectifier	EL34/ 6CA7	
V2	AF Amp. -Phase Inverter	ECC82/ 12AU7		V5	Rectifier	5U4GB	
V3	Output	EL34/ 6CA7					

ELECTROLYTIC CAPACITORS

ITEM No.	RATING		REPLACEMENT DATA					NOTES
	CAP.	VOLT.	AMPEX PART No.	AEROVOX PART No.	CORNELL-DUBILIER PART No.	MALLORY PART No.	PYRAMID PART No.	
CLA	.40	500	55-0014	AFH3-50-07	C0373	FP396.12		TVL-4840
B	.20	400						
C	.10	350						
C2	50	50	55-0035	PRS50V50	BR505	TC39	TD-50-50	TVA-1308

FIXED CAPACITORS

Capacity values given in the rating column are in mfd. for Paper Capacitors, and in mmfd. for Mica and Ceramic Capacitors.

ITEM No.	RATING	REMARKS	REPLACEMENT DATA					
			AEROVOX PART No.	CENTRALAB PART No.	CORNELL-DUBILIER PART No.	ELMENDO PART No.	MALLORY PART No.	SPRAGUE PART No.
C3	20000		BPD-02	DD-203	BYA8S2	CCD-203	B-120	5HK-82
C4	150		DI-150	DD-151	L10T15	CCD-151	B-315	5GA-T15
C5	.047 400V		P488N-047	DF-503	CUB4S47	4DP-3-473	GEM-4147	4TM-S47
C6	.047 400V		P488N-047	DF-503	CUB4S47	4DP-3-473	GEM-4147	4TM-S47
C7	.047 400V		P488N-047	DF-503	CUB4S47	4DP-3-473	GEM-4147	4TM-S47

CONTROLS

ITEM No.	RATING		REPLACEMENT DATA				INSTALLATION NOTES	
	RESISTANCE	WATTS	AMPEX PART No.	CENTRALAB PART No.	CLAROSTAT PART No.	IRC PART No.		MALLORY PART No.
R1A	500K	1/2	52-0005	AB-60	B47-500K-2	B13-133	TA55A	Level
B	Shaft			AK-1	Not Req.	TM-1	Not Req.	
R2	100Ω	2(WW)	52-0017				FL100P	Bias

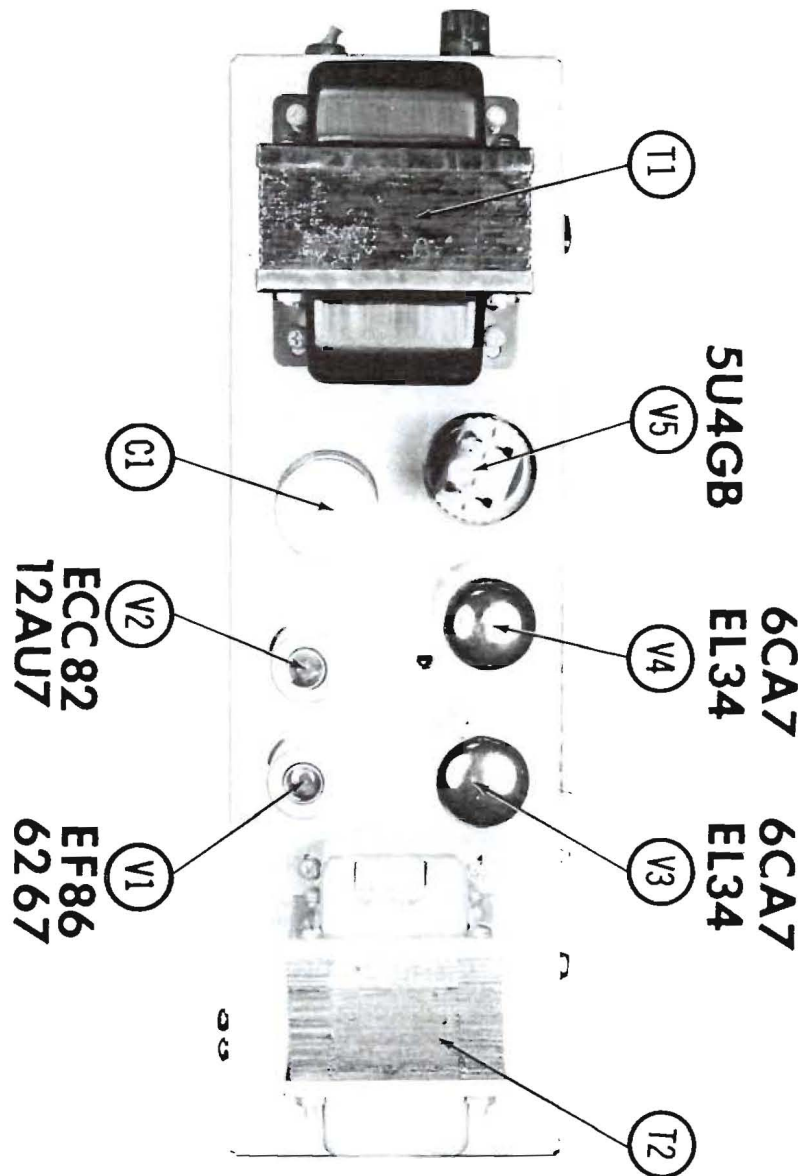
RESISTORS

All wattages 1/2 watt, or less, unless otherwise listed.

ITEM No.	RATING	REMARKS	ITEM No.	RATING	REMARKS	ITEM No.	RATING	REMARKS	
R3	1.5meg		R10	110K 5%		R17	1000Ω	Note 1 (#51-0086) (33K)*	
R4	270K		R11	82K		R18	175Ω 5% 7W		
R5	750Ω 5%		R12	330K		R19	56K 5%		
R6	4700Ω		R3	100Ω	Note 1	R20	39K		
R7	220K		R4	1000Ω			R21		39K 1W
R8	100K 5%		R5	330K					
R9	1.5meg		R6	100Ω					

Note 1. Not used in some versions.
* Alternate

CHASSIS—TOP VIEW



PARTS LIST AND DESCRIPTIONS (Continued)

TRANSFORMER (POWER)

ITEM No.	RATING			REPLACEMENT DATA						
	PRI.	SEC. 1	SEC. 2	AMPEX PART No.	Hallardson PART No.	Merit PART No.	Rom PART No.	Stancor PART No.	Thordorson PART No.	Triad PART No.
T1	117V @ 1.1A	740 VCT @ .140A	5V @ 3A	58-0008	24R06U			PC8411	24R06U	R-17A
	6.3 VCT @ 3.8A									

TRANSFORMER (AUDIO OUTPUT)

ITEM No.	IMPEDANCE		REPLACEMENT DATA							NOTES
	PRI.	SEC.	AMPEX PART No.	Hallardson PART No.	Merit PART No.	Rom PART No.	Stancor PART No.	Thordorson PART No.	Triad PART No.	
T2	5500Ω CT With Screen Tap @ 1200Ω	16Ω	58-0009	22S39 ①	A-3102 ①			22S39 ①	S-146A	① Drill New Mounting Holes

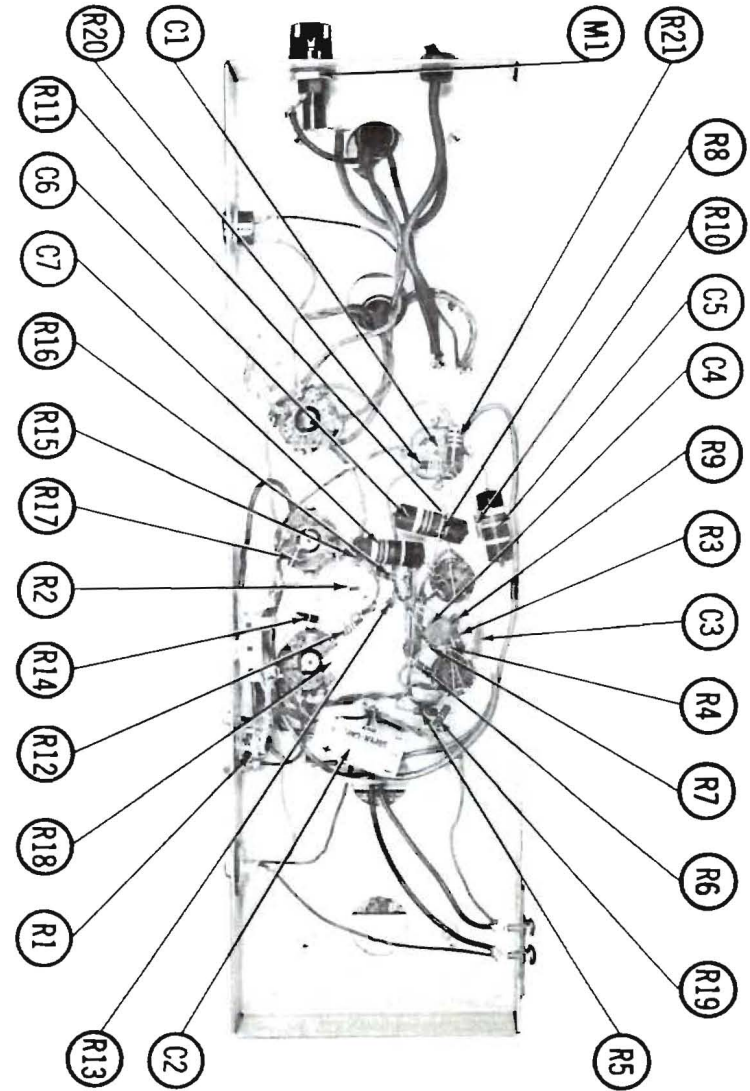
FUSES

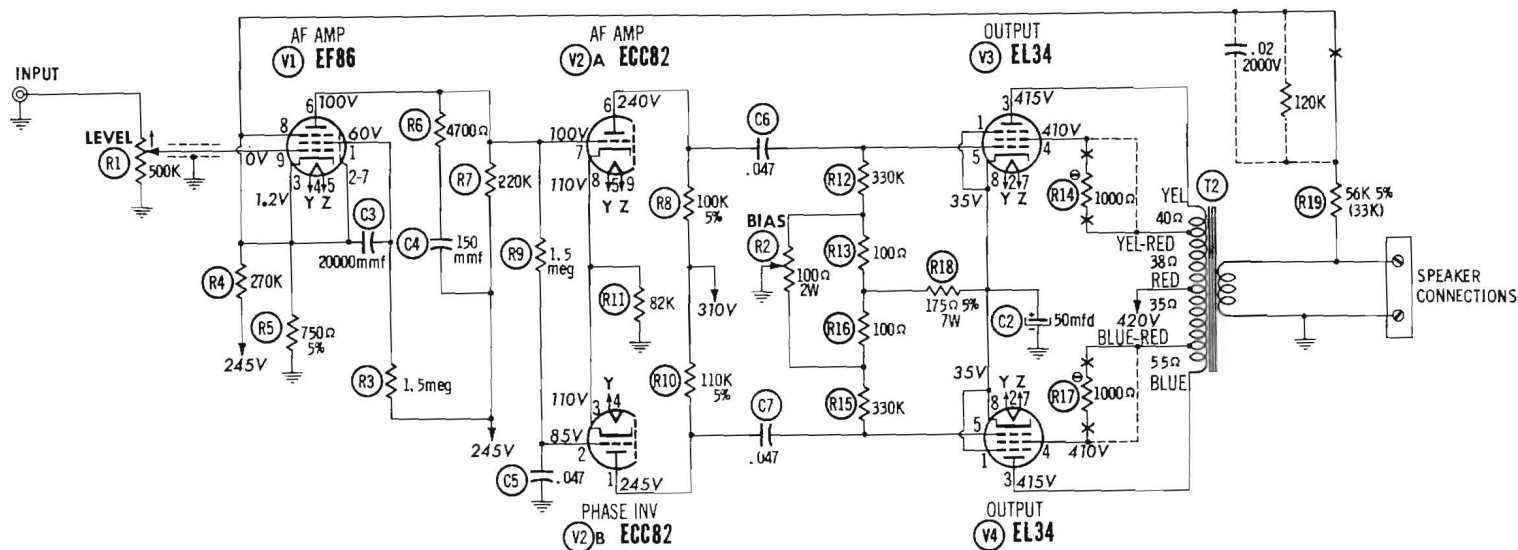
ITEM No.	TYPE	RATING	REPLACEMENT DATA					
			AMPEX PART No.		LITTELFUSE PART No.		BUSS PART No.	
			FUSE	HOLDER	FUSE	HOLDER	FUSE	HOLDER
M1	3AG	2A 250V	61-0005	63-0015	312002 (3AG 2A 250V)	342001	AGC 2	HKP

WIRING DATA

General-use Unshielded Hook-up Wire Use BELDEN No. 8530 (Solid) Available in Ten Colors
 8524 (Stranded) Available in Ten Colors
 Power Cord Use BELDEN No. 1765-B (6 Ft. Length)
 1725-K (7½ Ft. Length)

CHASSIS BOTTOM VIEW





RESISTANCE READINGS

ITEM	TUBE	Pin 1	Pin 2	Pin 3	Pin 4	Pin 5	Pin 6	Pin 7	Pin 8	Pin 9
V1	EF86 6267	† 1.5meg	750Ω	750Ω	.1Ω	.1Ω	† 300K	750Ω	750Ω	0Ω
V2	ECC82 12AU7	† 150K	† 1.8meg	82K	.1Ω	.1Ω	† 140K	† 300K	82K	.1Ω
V3	EL34 6CA7	270Ω	.1Ω	† 80Ω	† 1000Ω	330K	NC	.1Ω	270Ω	
V4	EL34 6CA7	270Ω	.1Ω	† 90Ω	† 1000Ω	330K	TP	.1Ω	270Ω	
V5	5U4GB	NC	¶	TP	50Ω	NC	45Ω	TP	¶	

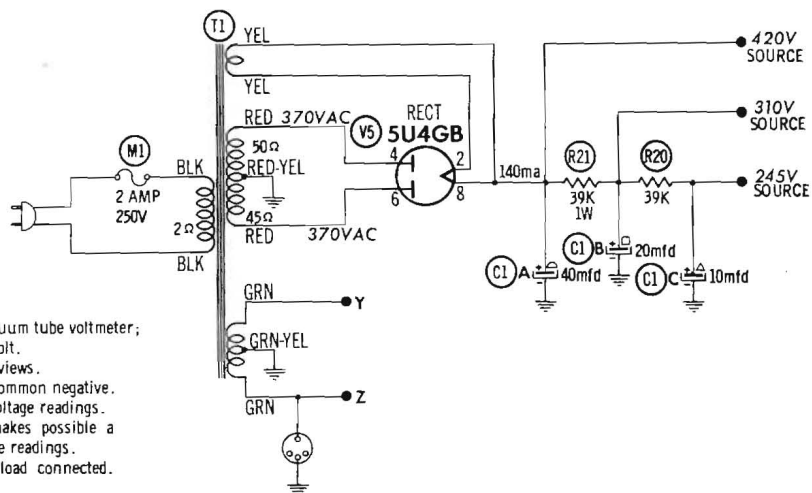
- ¶ THIS READING WILL VARY DEPENDING UPON THE CONDITION OF THE ELECTROLYTIC IN THE CIRCUIT.
- † MEASURED FROM PIN 8 OF V5.
- MEASURED FROM PIN 8 OF V3.

⊖ SEE PARTS LIST FOR ALTERNATE VALUE OR APPLICATION

DC COIL RESISTANCE VALUES UNDER ONE OHM NOT SHOWN ON SCHEMATIC DIAGRAM

ARROWS ON CONTROLS INDICATE CLOCKWISE ROTATION (CONTROL VIEWED FROM SHAFT END)

1. DC voltage measurements taken with vacuum tube voltmeter; AC voltages measured at 1000 ohms per volt.
2. Socket connections are shown as bottom views.
3. Measured values are from socket pin to common negative.
4. Line voltage maintained at 117 volts for voltage readings.
5. Nominal tolerance of component values makes possible a variation of ±15% in voltage and resistance readings.
6. All controls at minimum, proper output load connected.



AMPEX MODEL 30 WATT AMP
(CUSTOM SERIES 1959)